



ADM-1810AP-VHB

Panel Mount 10.4-inch 1000 nits Very High Bright Sunlight Readable LCD Display Monitor

Features

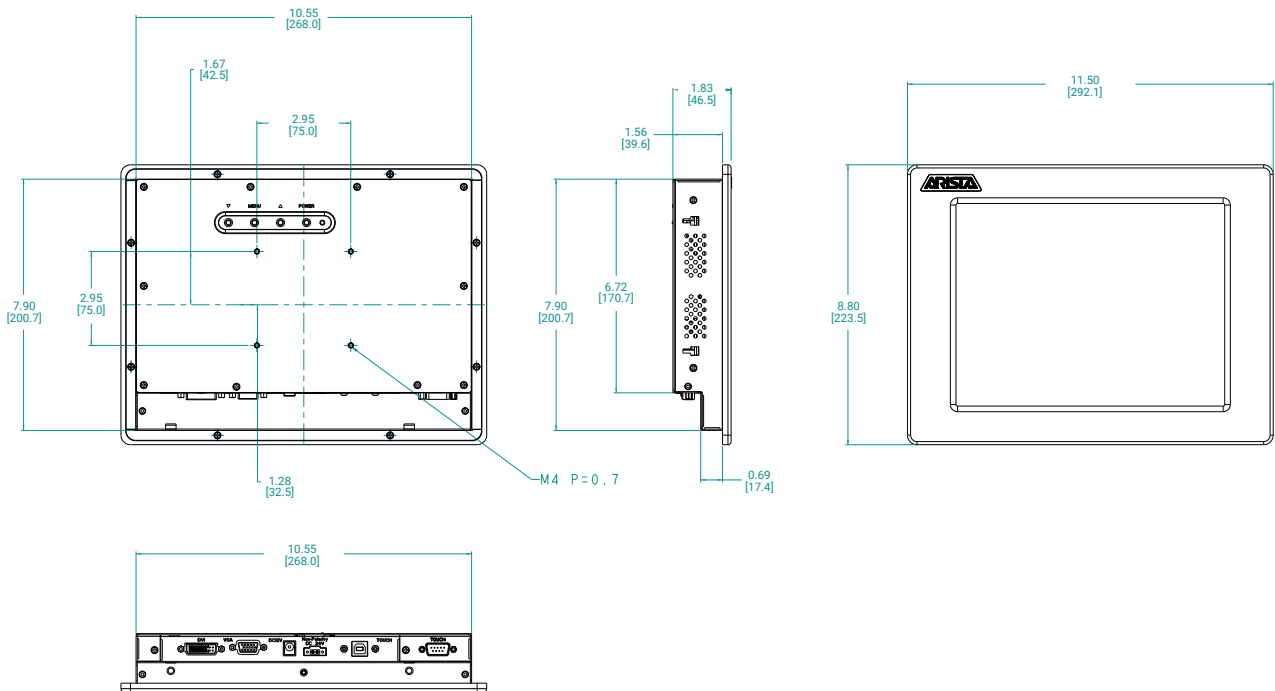
- 10.4-inch LCD Display, 800 x 600 resolutions
- 1000 nits Very High Bright Sunlight Readable
- 5-Wire Resistive Touch Screen or Tempered Glass
- RS-232, USB Touch Interface
- Powder Coated Aluminum or Stainless-Steel Bezel
- Bezel meets IP65 / NEMA 4X requirements
- VGA, DVI Input
- 24VDC Operating Voltage option

Specifications

Model Name	ADM-1810AP-VHB
LCD Display	
Display Size (Diagonal)	10.4"
Max Resolution	800 x 600
Backlight Lifetime (Hours)	50,000 hours
Visual Characteristics	
Colors	16.2 million
Aspect Ratio	4:3
Viewing Angle (V/H)	140° / 170°
Contrast Ratio	700:1
Brightness	1000 nits
Input Interface	
VGA	Yes
DVI	Yes
HDMI	N/A
Display Port	N/A
CVBS	N/A
YPbPr	N/A
Touchscreen	
Technology	5-Wire Resistive
Interface	RS-232, USB
Driver	WinXP, Win 7, Win10
Front Bezel	
NEMA 4	Black Powder Coated
NEMA 4X	Stainless Steel (Optional)
Power/Thermal Specs	
Power Requirement (Max)	18W
Power Consumption (Max)	--
Recommended Power Supply	--
Heat Dissipation	--
Physical Information	
Mounting	Panel Mount
Net Weight	7.0 lbs / 3 kg
Dimension (W x H x D)	11.50 x 8.80 x 2.10 inch 292.1 x 223.5 x 53.3 mm
Recommended Cutout Dimension (WxH)	10.75 x 8.10 inch 273.1 x 205.7 mm
Environmental	
Operating Temperature	0~35°C (32~95°F)
Storage Temperature	-20~60°C (-4~140°F)
Humidity	5%~95% (non-condensing)
Rating	Bezel Meets NEMA 4 / NEMA 4X requirements
Certification	N/A

Dimension Drawing

Model Name: ADM-1810AP
 Size Unit: inch(mm)



Ordering Information

Item	ADM-1810AP-000-VHB	ADM-1810AP-001-VHB
LCD Display	VHB 10.4" / 800 x 600	VHB 10.4" / 800 x 600
Touch Screen	5-Wire Resistive	5-Wire Resistive
Mounting	Panel Mount	Panel Mount
Bezel	Black	Black
Power Supply	24VDC Input	12VDC Power Adaptor

Item	ADM-1810AP-004-VHB	ADM-1810AP-005-VHB
LCD Display	VHB 10.4" / 800 x 600	VHB 10.4" / 800 x 600
Touch Screen	5-Wire Resistive	5-Wire Resistive
Mounting	Panel Mount	Panel Mount
Bezel	Stainless Steel	Stainless Steel
Power Supply	24VDC Input	12VDC Power Adaptor

Item	ADM-1810AP-Z00-VHB	ADM-1810AP-Z01-VHB
LCD Display	VHB 10.4" / 800 x 600	VHB 10.4" / 800 x 600
Touch Screen	No Touch	No Touch
Mounting	Panel Mount	Panel Mount
Bezel	Black	Black
Power Supply	24VDC Input	12VDC Power Adaptor

Item	ADM-1810AP-Z04-VHB	ADM-1810AP-Z05-VHB
LCD Display	VHB 10.4" / 800 x 600	VHB 10.4" / 800 x 600
Touch Screen	No Touch	No Touch
Mounting	Panel Mount	Panel Mount
Bezel	Stainless Steel	Stainless Steel
Power Supply	24VDC Input	12VDC Power Adaptor